

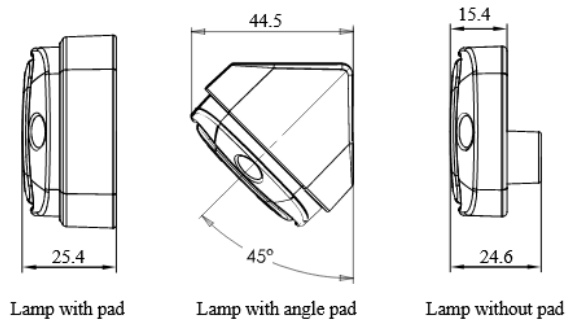
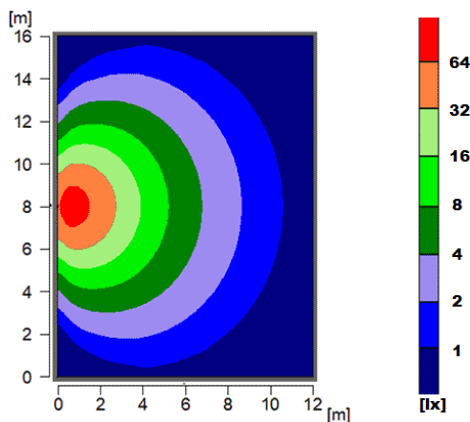
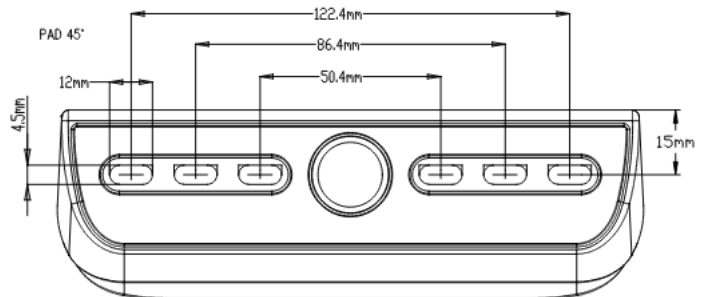
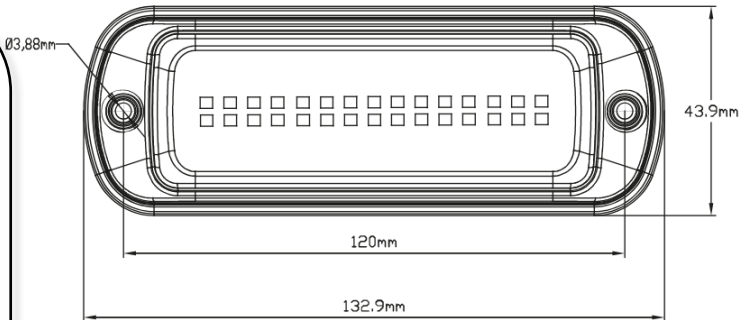


W229



FLAT WORK LAMP

- In 2 versions: with clear lens and with neon lens
- In a shape of warning lamps W218
- Includes 2 mounting bases: flat base and 45° base
- 3 ways of mounting
- Connection: 2,5m cable



Catalogue Number	Lens Type	Light Source	Lumen Value	Power Consumption	Operating Voltage
1501	clear	LED	1750	16W	12V-24V
1501 N	neon	LED	1460	16W	12V-24V

Brighten your life with Waś :-)

